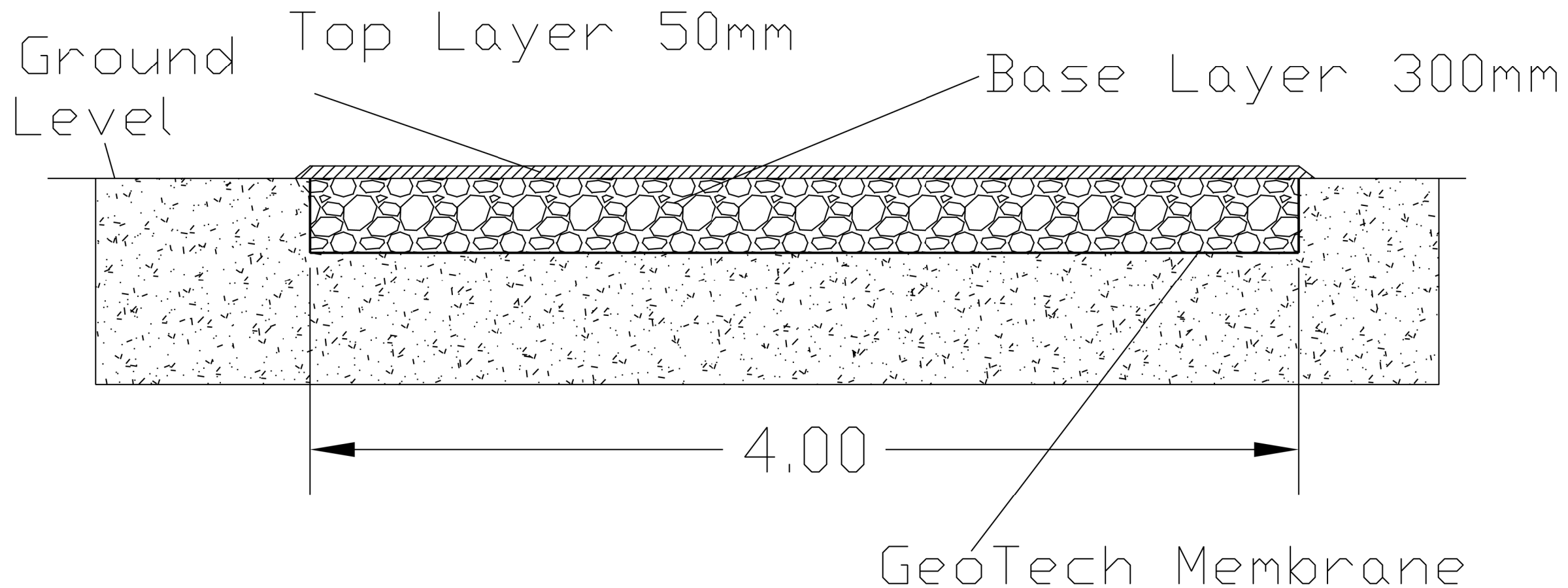




Notes
1. If no comment is received against the submitted document within 10 working days from the date of issue, this will be deemed as being approved.

THIS DRAWING IS NOT FOR CONSTRUCTION



Drawn By	Checked By	REV
MSTP	PC	
Date	Approved By	
17/03/2023	PC	
PROJECT	Parc Solar Caenewydd	
TITLE	Site Road Cross Section	
CLIENT	Taiyo Power and Storage	
STATUS	Statutory pre-application consultation	
Sheet No	Sheet Title	Sheet Size
		A3
Scale	Drawing Number	
1:20	PSC 100 016	