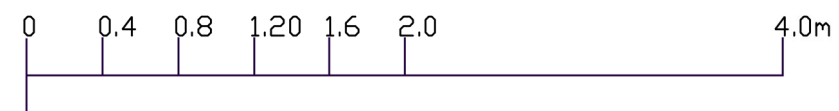
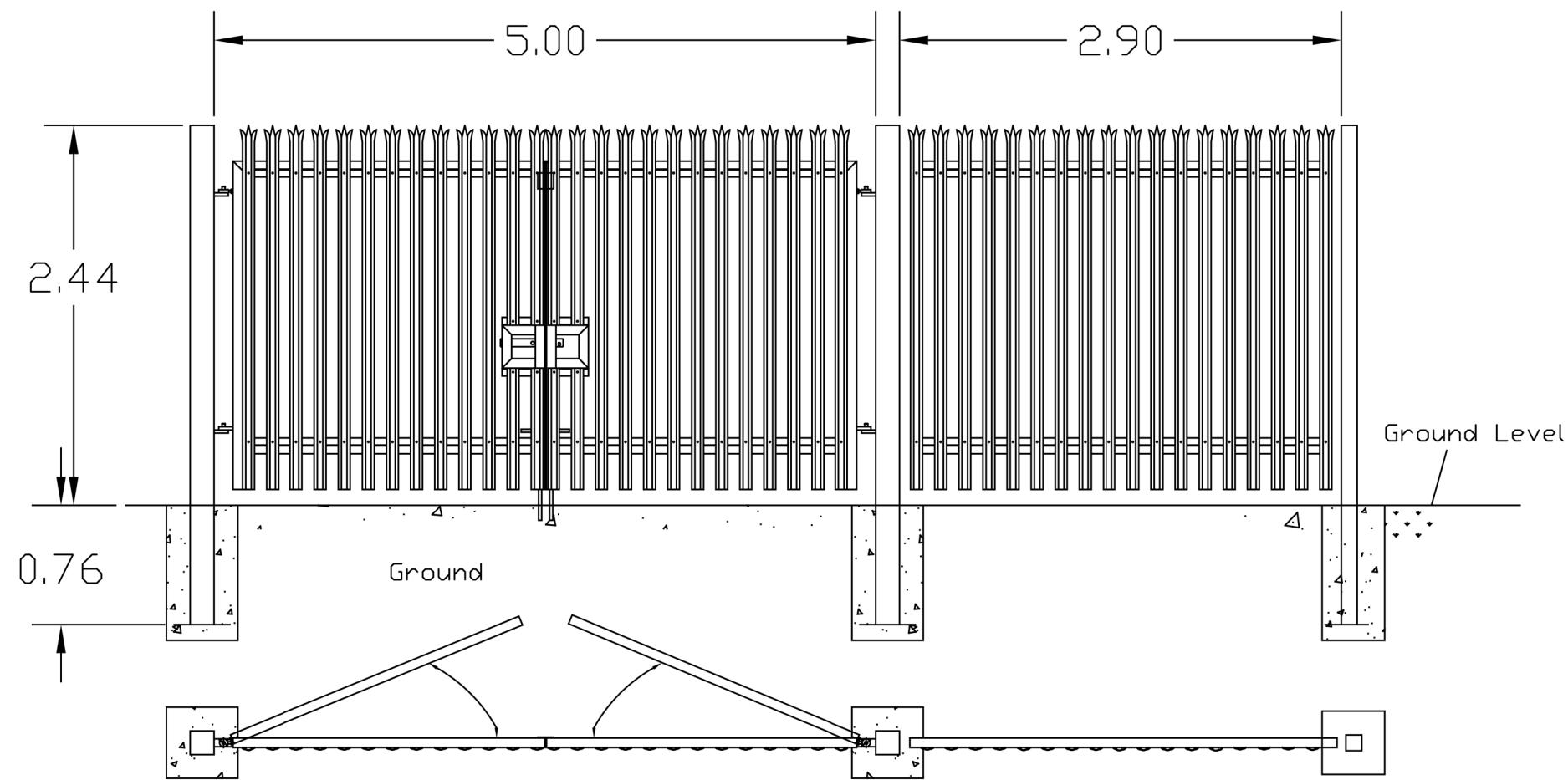




Notes

- 1. If no comment is received against the submitted document within 10 working days from the date of issue, this will be deemed as being approved.

THIS DRAWING IS NOT FOR CONSTRUCTION



Drawn By	Checked By	REV
MSTP	PC	
Date	Approved By	
17/03/2023	PC	
<b>PROJECT</b>	<b>Parc Solar Caenewydd</b>	
<b>TITLE</b>	<b>Palisade Fencing 132KV Substation</b>	
<b>CLIENT</b>	<b>Taiyo Power and Storage</b>	
<b>STATUS</b>	Statutory pre-application consultation	
Sheet No	Sheet Title	Sheet Size
		A3
Scale	Drawing Number	
<b>1:40</b>	<b>PSC 100 015</b>	