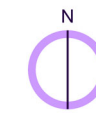
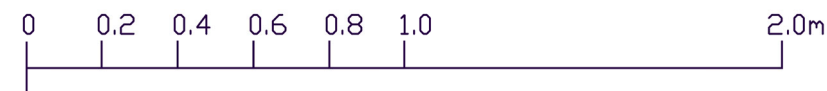
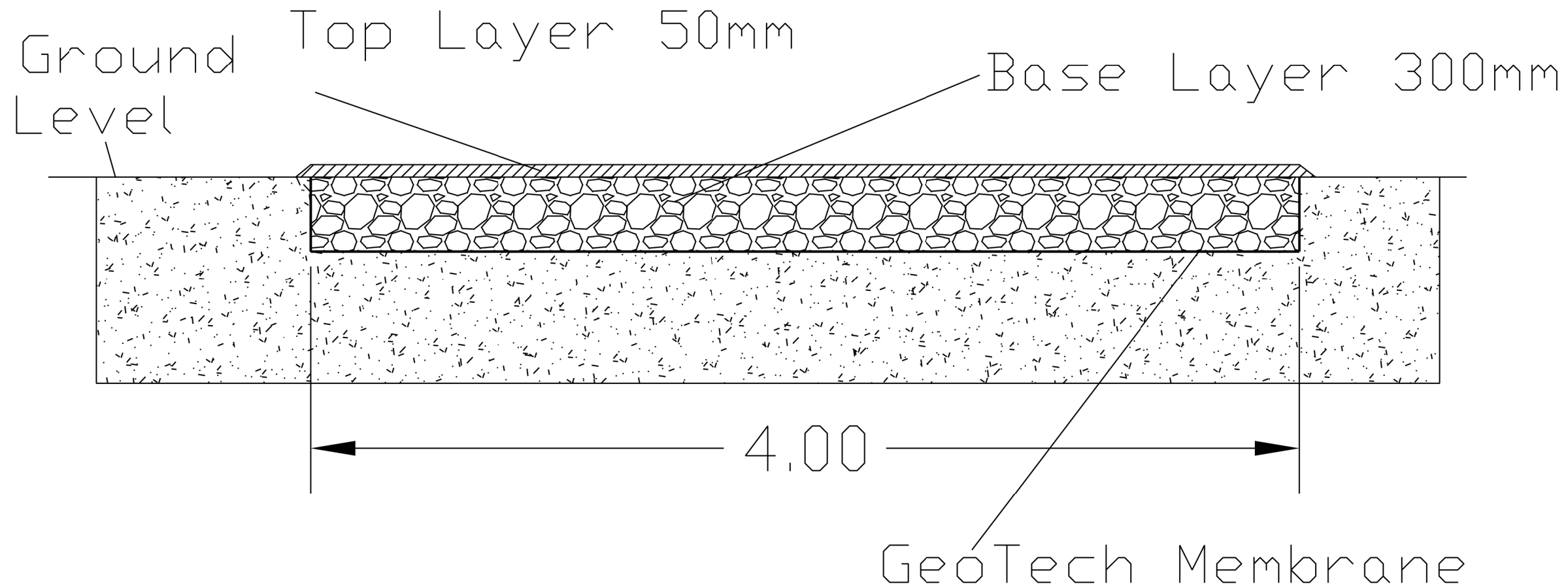




Notes

- 1. If no comment is received against the submitted document within 10 working days from the date of issue, this will be deemed as being approved.

THIS DRAWING IS NOT FOR CONSTRUCTION



Drawn By	Checked By	REV	1
MSTP	PC		
Date	Approved By		
28/11/23	CD		
PROJECT	Parc Solar Caenewydd		
TITLE	Site Road Cross Section		
CLIENT	Taiyo Power and Storage		
STATUS	Planning Application		
Sheet No	Sheet Title	Sheet Size	
		A3	
Scale	Drawing Number		
1:20	PSC 100 016		