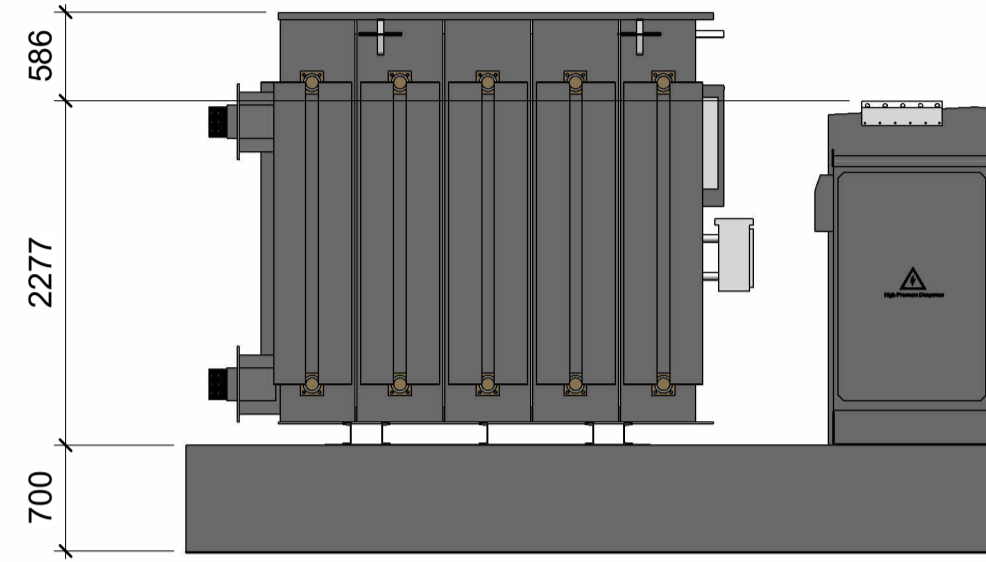
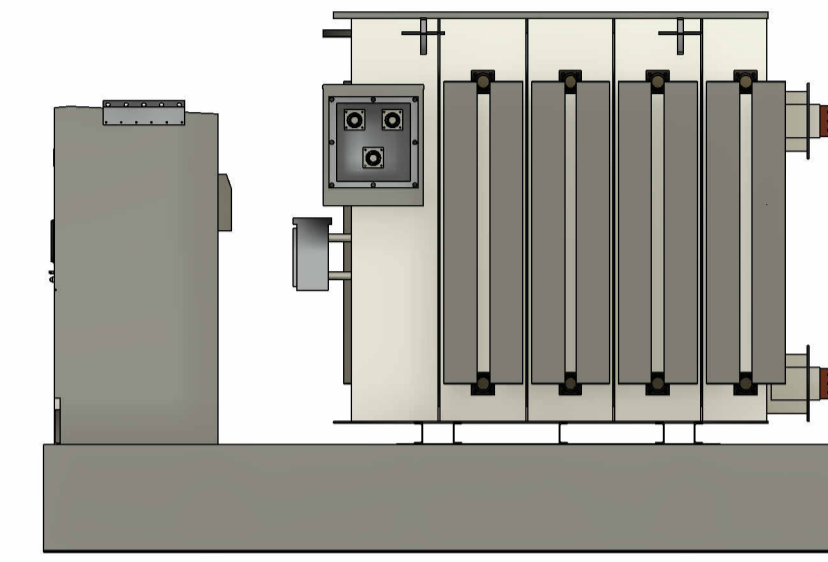


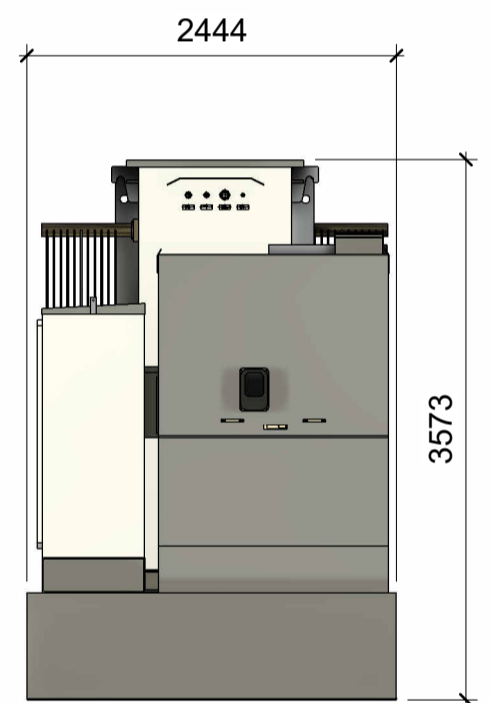
**1 Plan View**  
1 : 50



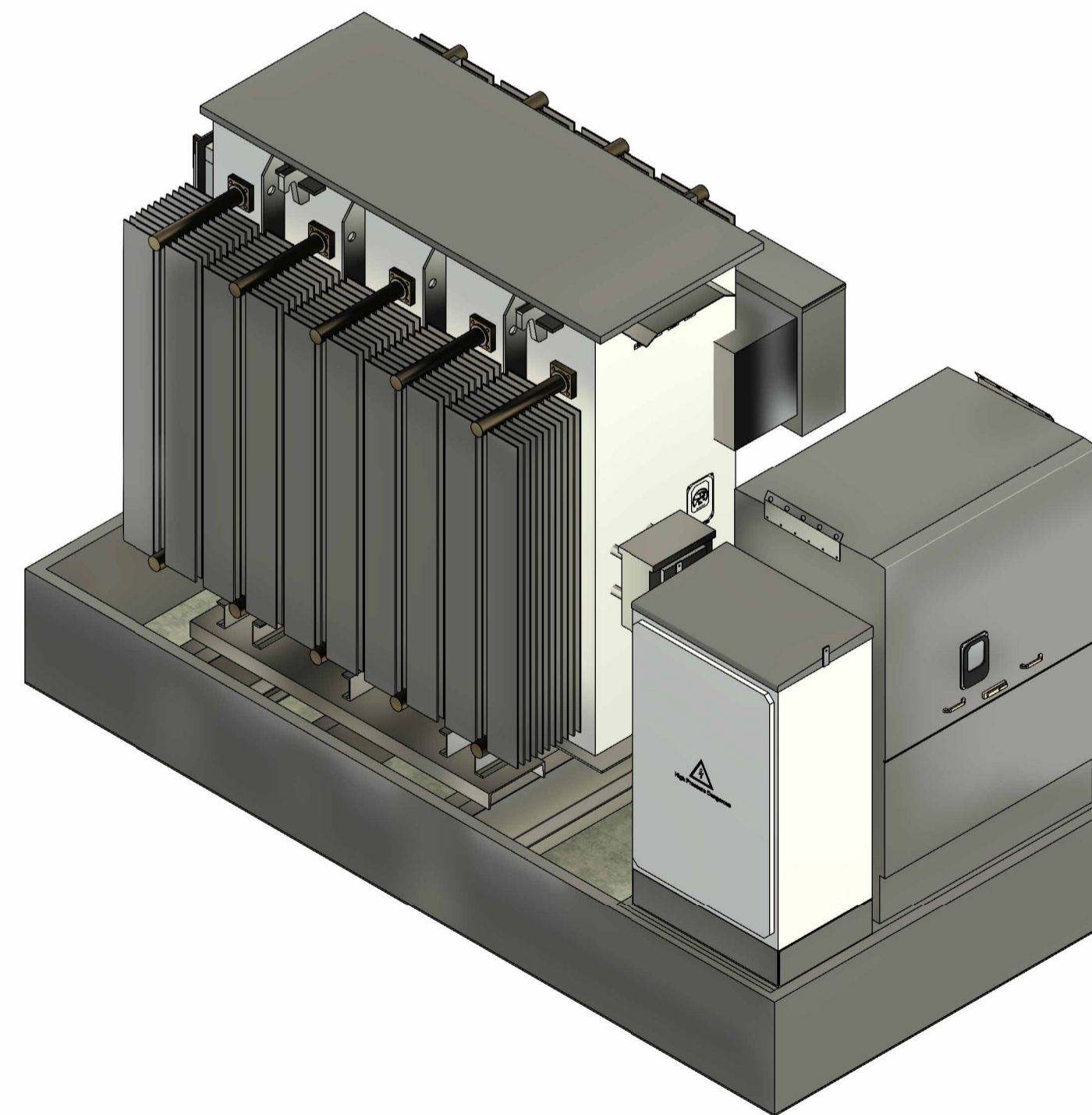
**2 Left Elevation**  
1 : 50



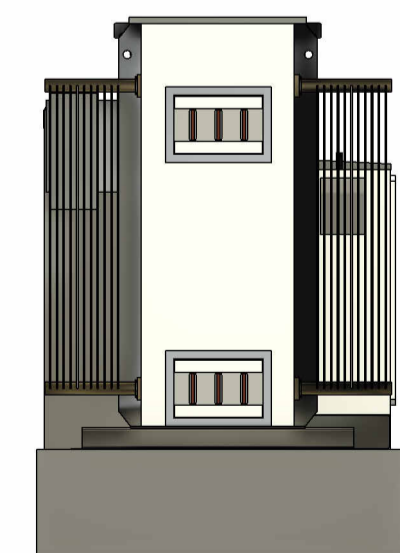
**3 Right Elevation**  
1 : 50



**4 Front Elevation**  
1 : 50



**6 3D View**



**5 Rear Elevation**  
1 : 50

**NOTES:**


O	Original	AJ	03.08.23
REV:	DESCRIPTION:	ISS BY:	DATE:

Revision Schedule

Status : **FOR PLANNING**



Suite 5, Exchange Station, Tithebarn St, Liverpool, L2 2QP

THIS DRAWING IS CONFIDENTIAL & THE COPYRIGHT OF SUCCESS CONNECTIONS. IT MUST NOT BE COPIED OR PASSED TO A THIRD PARTY WITHOUT WRITTEN CONSENT.

Project Number: **SC PJ 55 02**

Client Name: **Low Carbon Alliance**

Project Title: **Parc Solar Caenewydd**

Drawing Name: **Transformer & Inverter Plan & Elevations**

DRAWN	AJ	CHK'D	AJ	APP'D	AJ	SCALE (@ A1)	SHEET No.
							1 of 1

Drawing Number: **SC PJ 55 02-150-17**

REVISION **0**