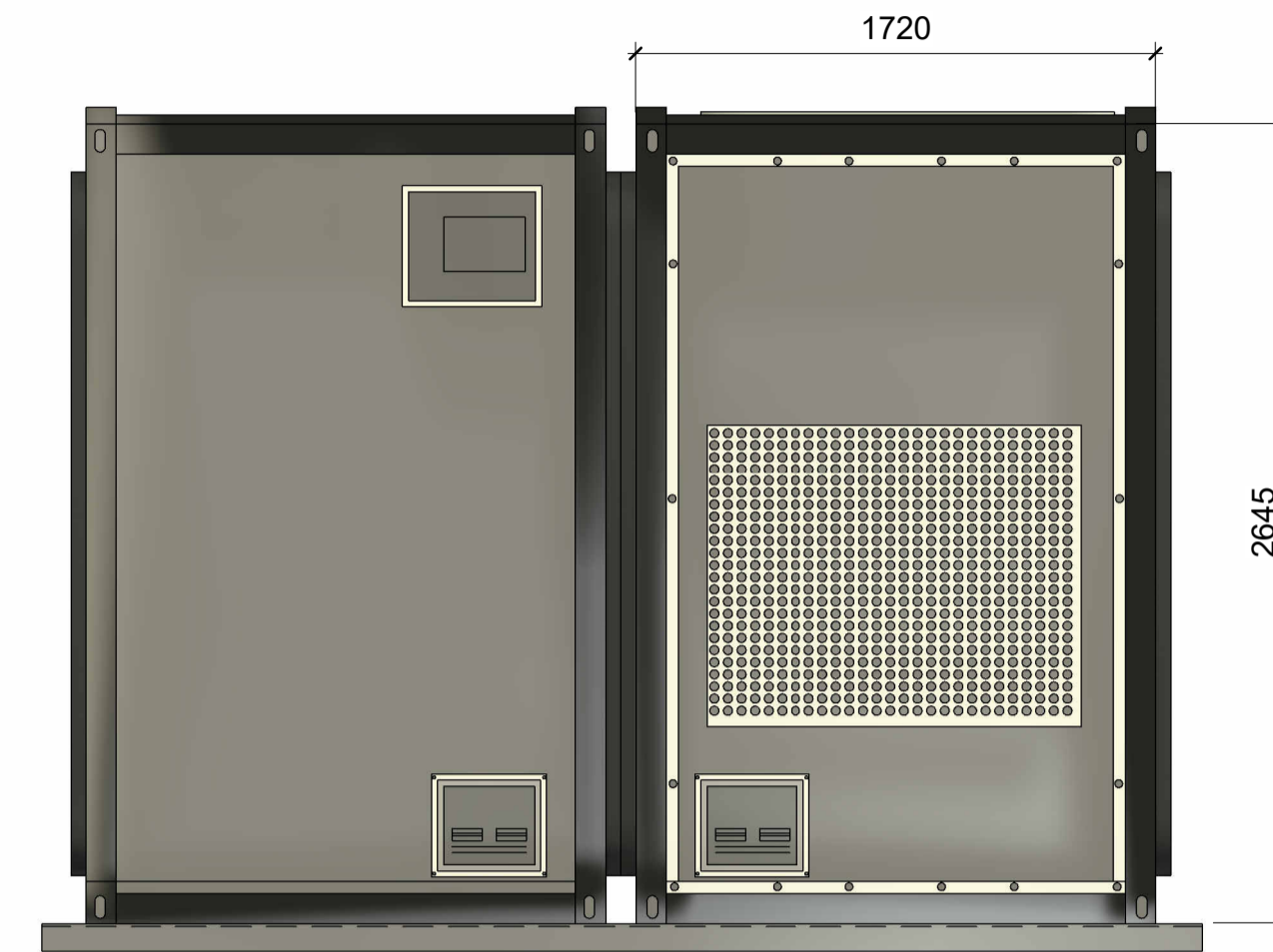
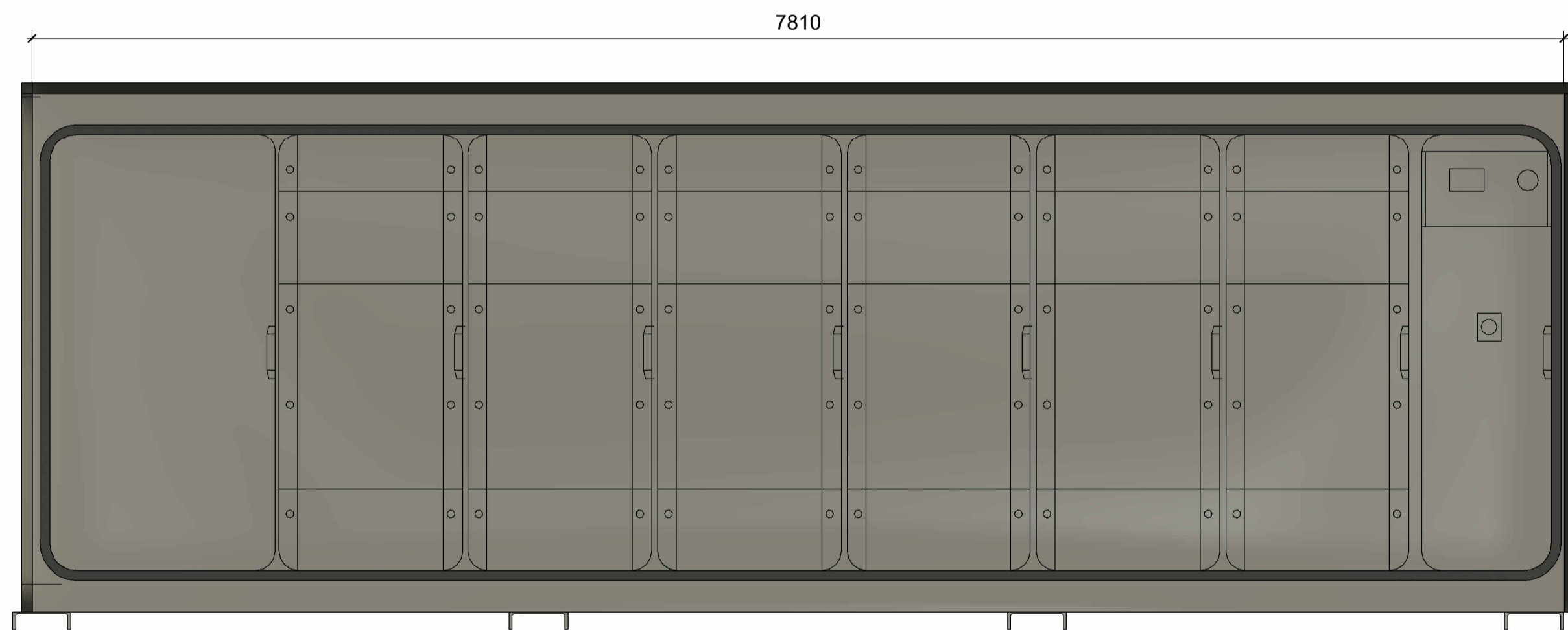




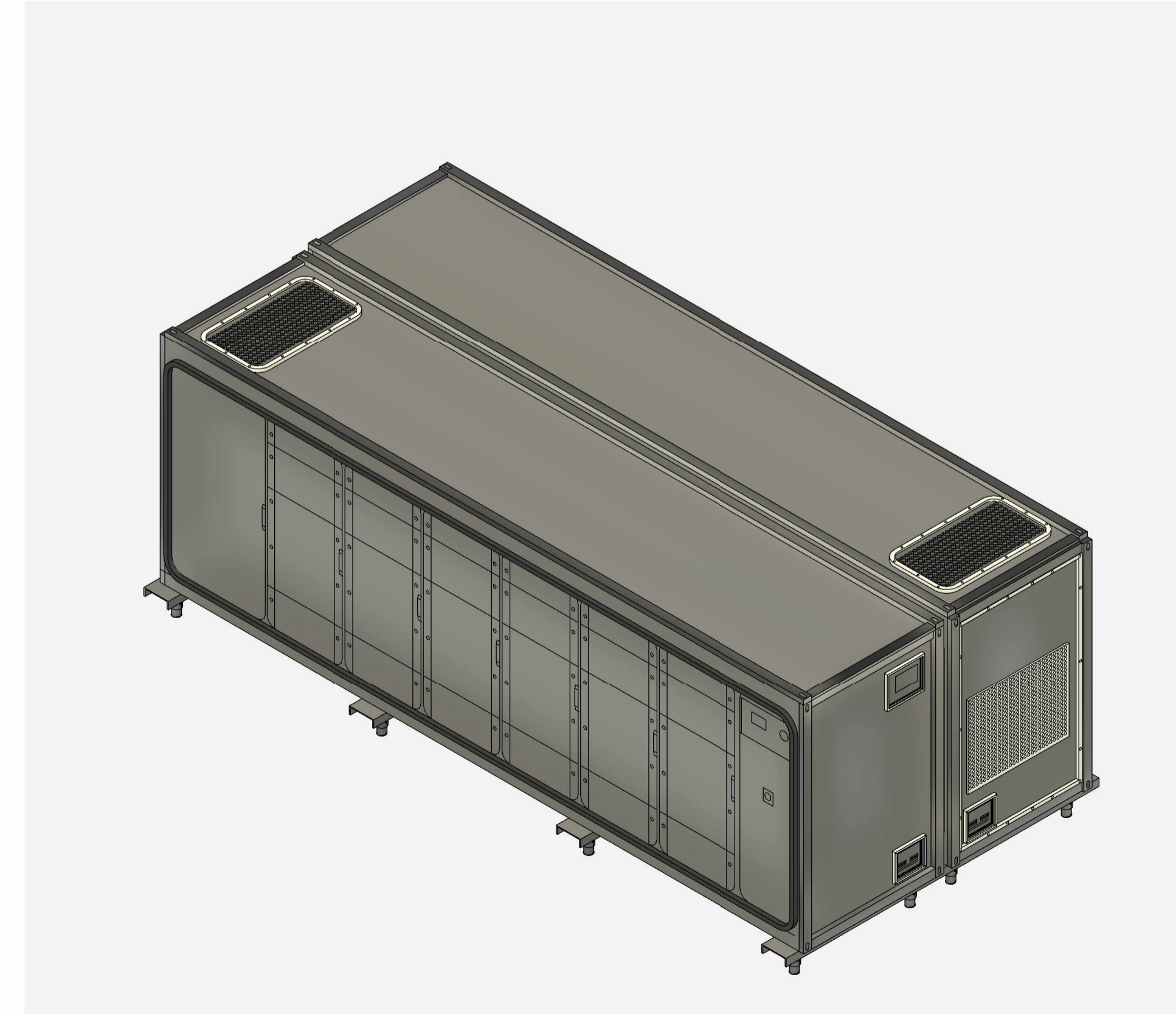
1 Elementa Battery Container Plan
1 : 25



2 Elementa Battery Front Elevation
1 : 25



3 Elementa Battery Side Elevation
1 : 25



4 Elementa Battery 3D View

NOTES:

O	Original	AJ	03.08.23
REV:	DESCRIPTION:	ISS BY:	DATE:

Revision Schedule

Status : **FOR PLANNING**



Suite 5, Exchange Station, Tithebarn St, Liverpool, L2 2QP
THIS DRAWING IS CONFIDENTIAL & THE COPYRIGHT OF SUCCESS CONNECTIONS. IT MUST NOT BE COPIED OR PASSED TO A THIRD PARTY WITHOUT WRITTEN CONSENT.

Project Number: **SC PJ 55 02**

Client Name: **Low Carbon Alliance**

Project Title: **Parc Solar Caenewydd**

Drawing Name: **Battery Container Plan and Elevations**

DRAWN	AJ	CHK'D	AJ	APP'D	AJ	SCALE (@ A1)	1 : 25	SHEET No.	1 of 1
-------	----	-------	----	-------	----	--------------	--------	-----------	--------

Drawing Number: **SC PJ 55 02-150-09**

REVISION **0**