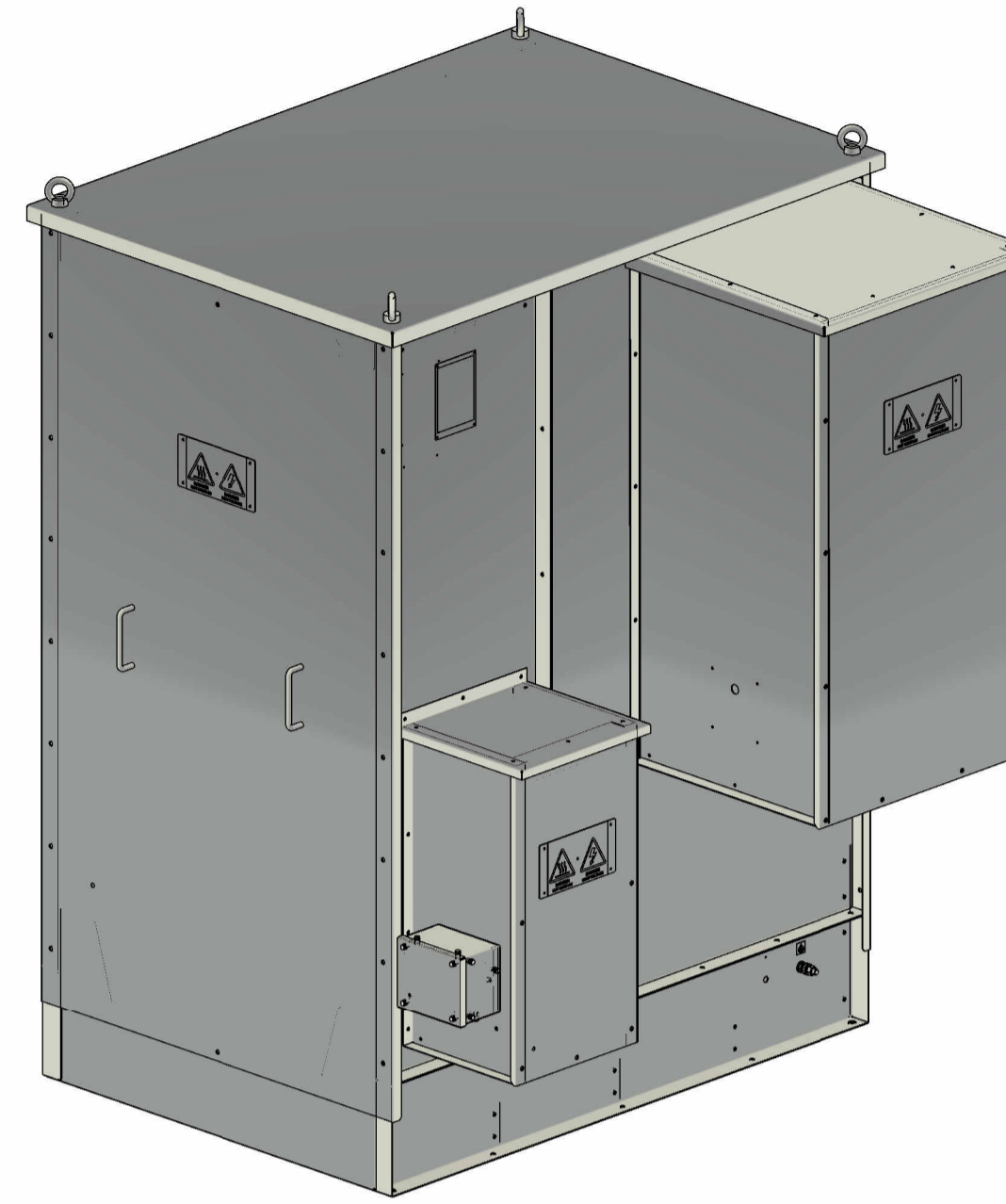
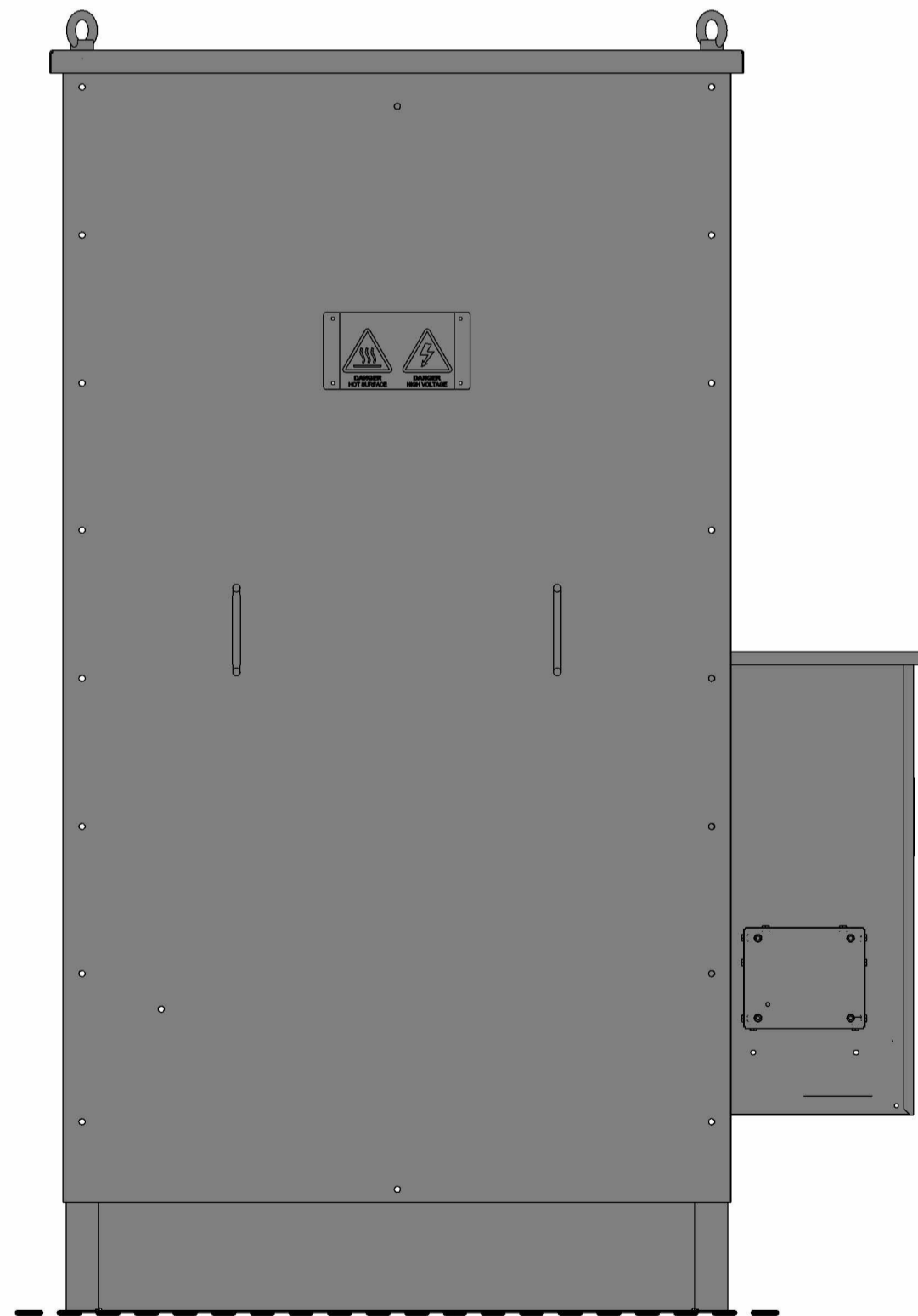


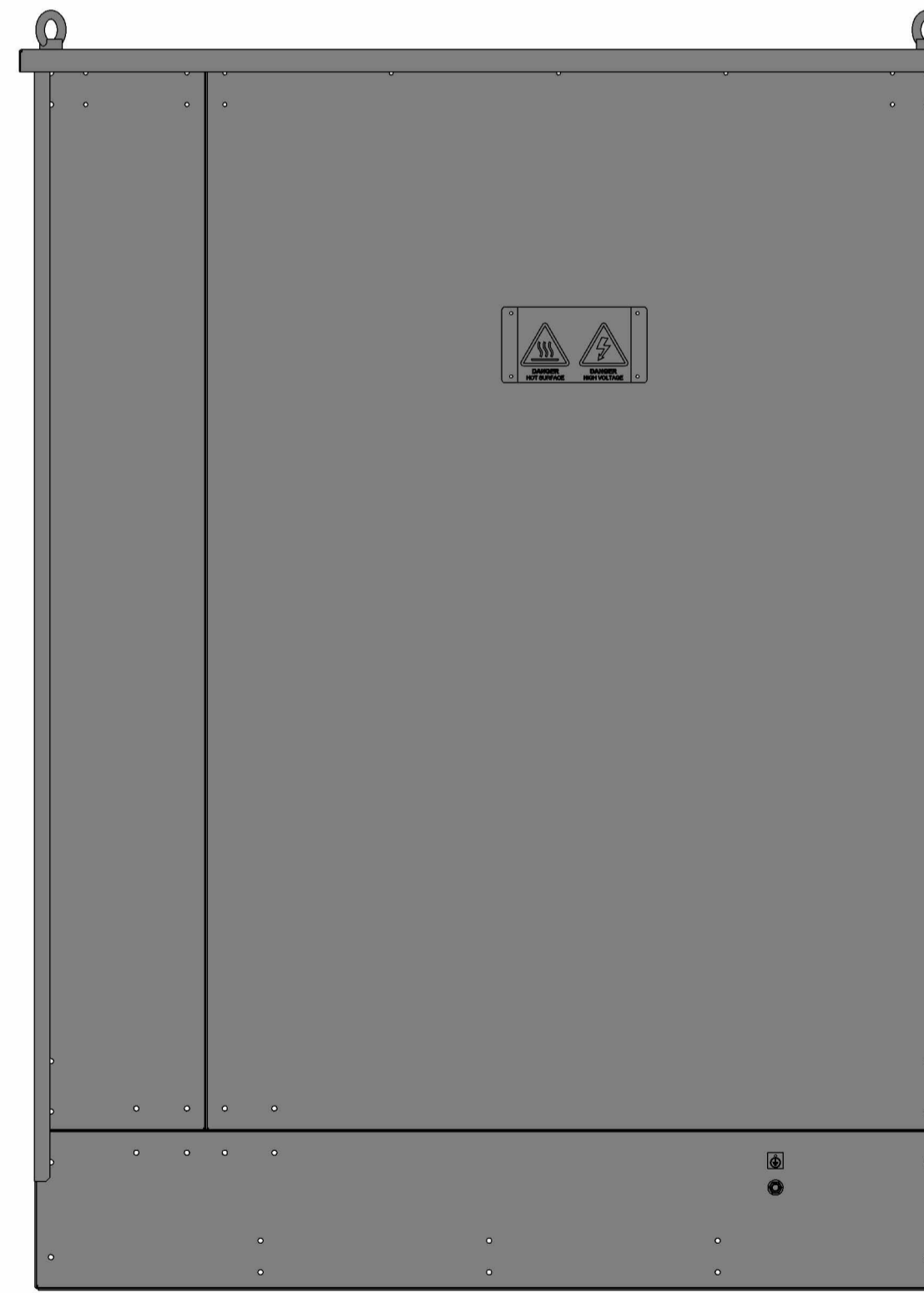
**1 Plan View**  
1 : 10



**2 3D View**



**3 Side View**  
1 : 10



**4 Front View**  
1 : 10

**NOTES:**


O	Original	AJ	03.08.23
REV:	DESCRIPTION:	ISS BY:	DATE:

Revision Schedule

Status : **FOR PLANNING**



Suite 5, Exchange Station, Tithebarn St, Liverpool, L2 2QP  
THIS DRAWING IS CONFIDENTIAL & THE COPYRIGHT OF SUCCESS CONNECTIONS. IT MUST NOT BE COPIED OR PASSED TO A THIRD PARTY WITHOUT WRITTEN CONSENT.

Project Number: **SC PJ 55 02**

Client Name: **Low Carbon Alliance**

Project Title: **Parc Solar Caenewydd**

Drawing Name: **NER Plan & Elevation**

DRAWN	AJ	CHK'D	AJ	APP'D	AJ	SCALE (@ A1)	1 : 10	SHEET No.	1 of 1
Drawing Number:								REVISION	0

**SC PJ 55 02-150-14**