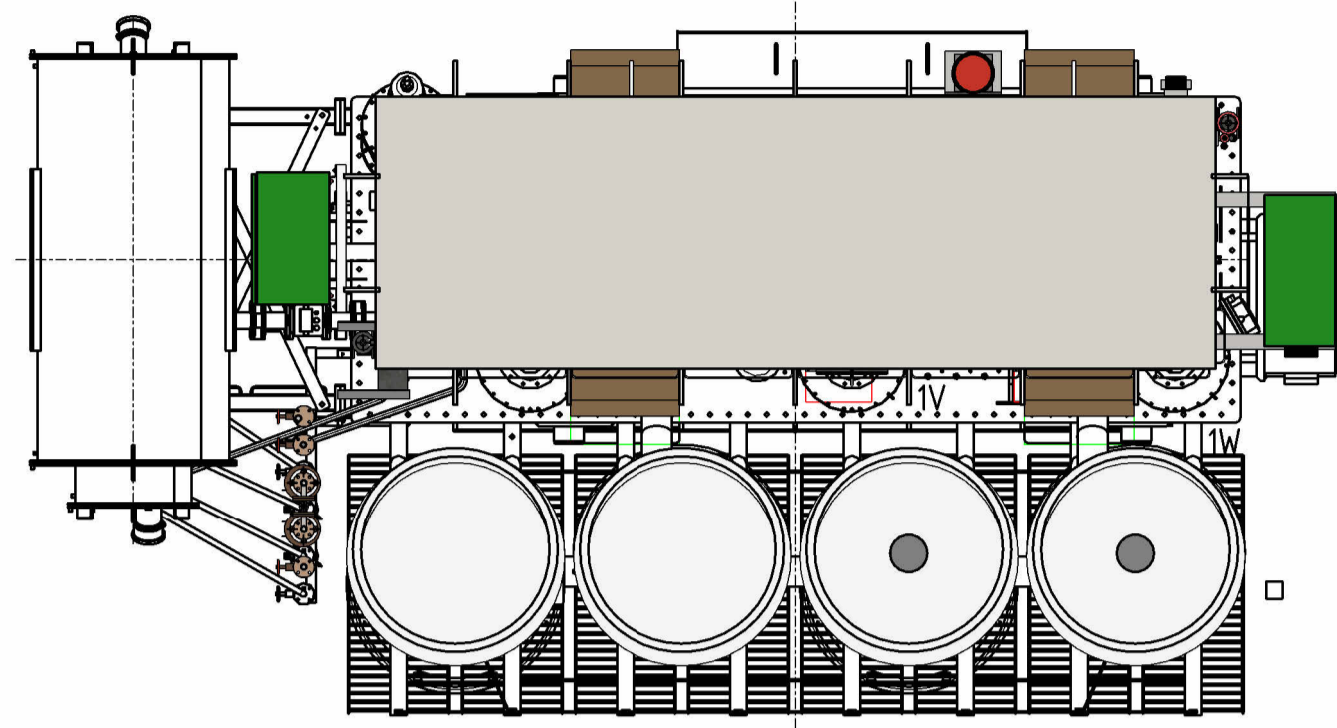
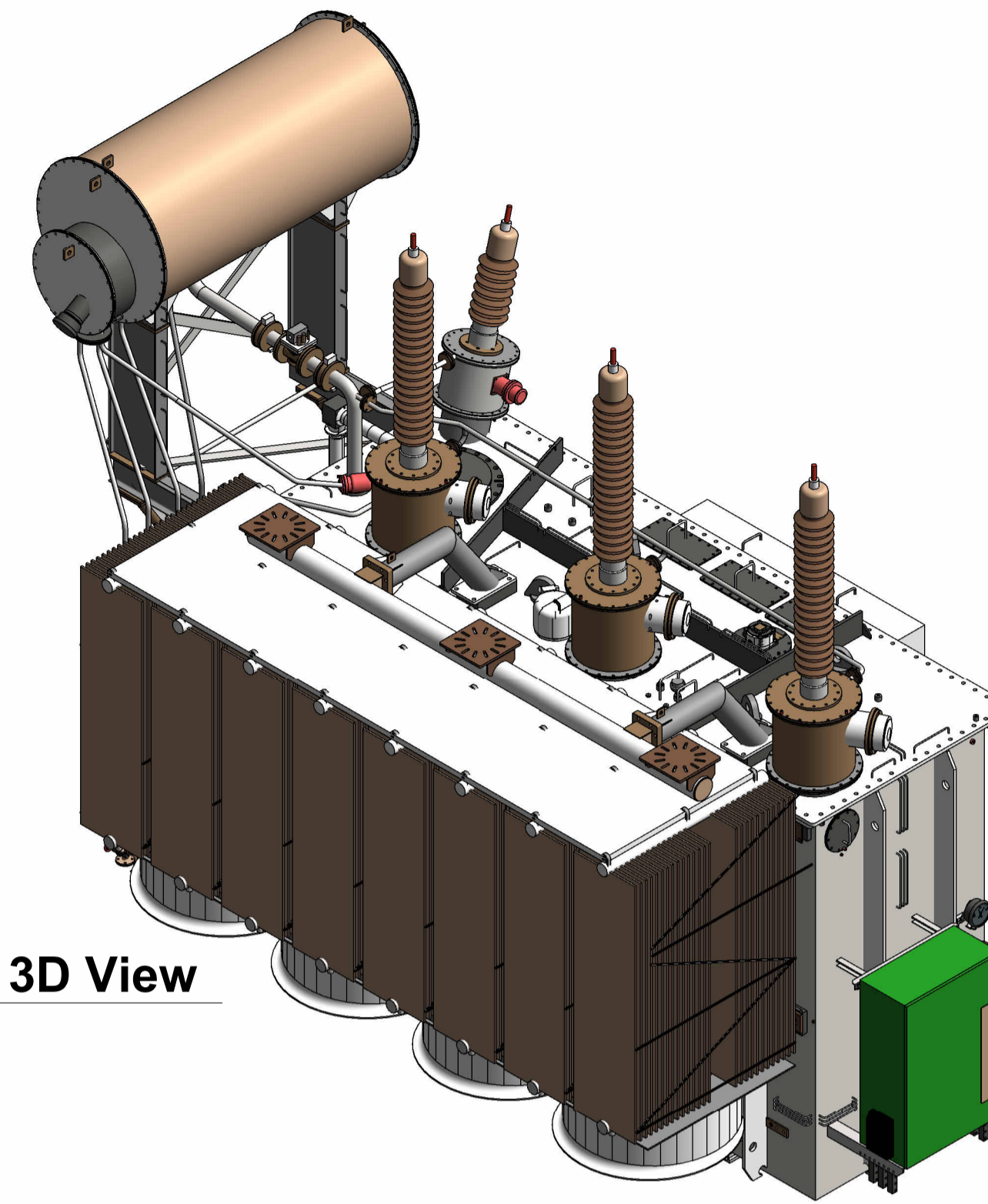


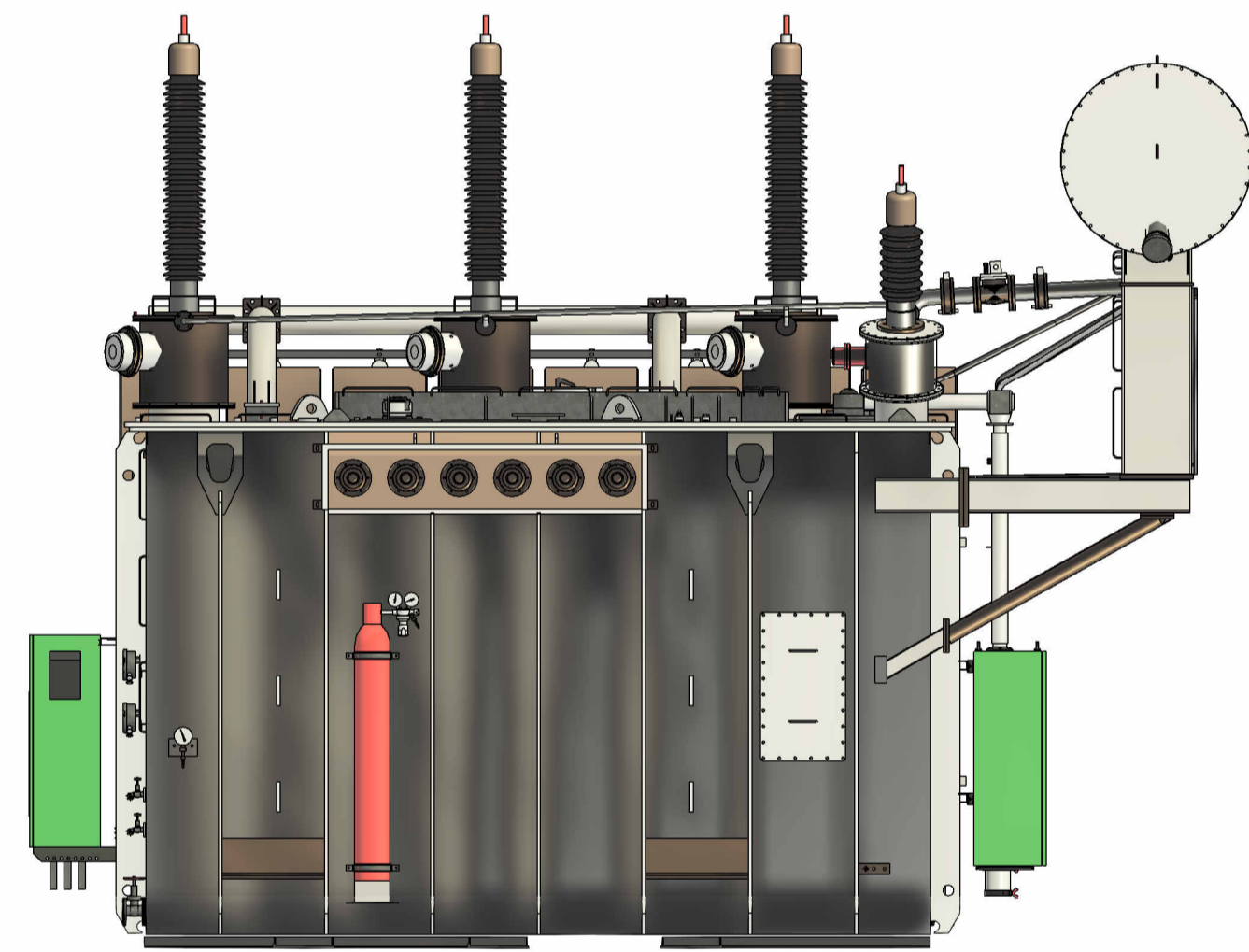
NOTES:



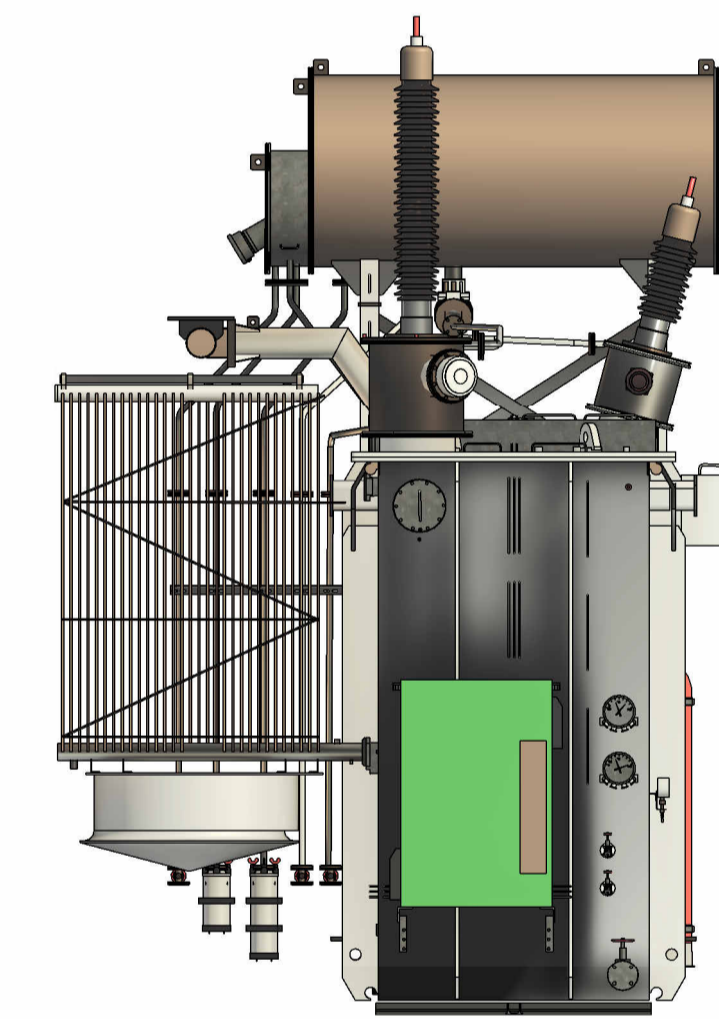
1 Plan View
1 : 40



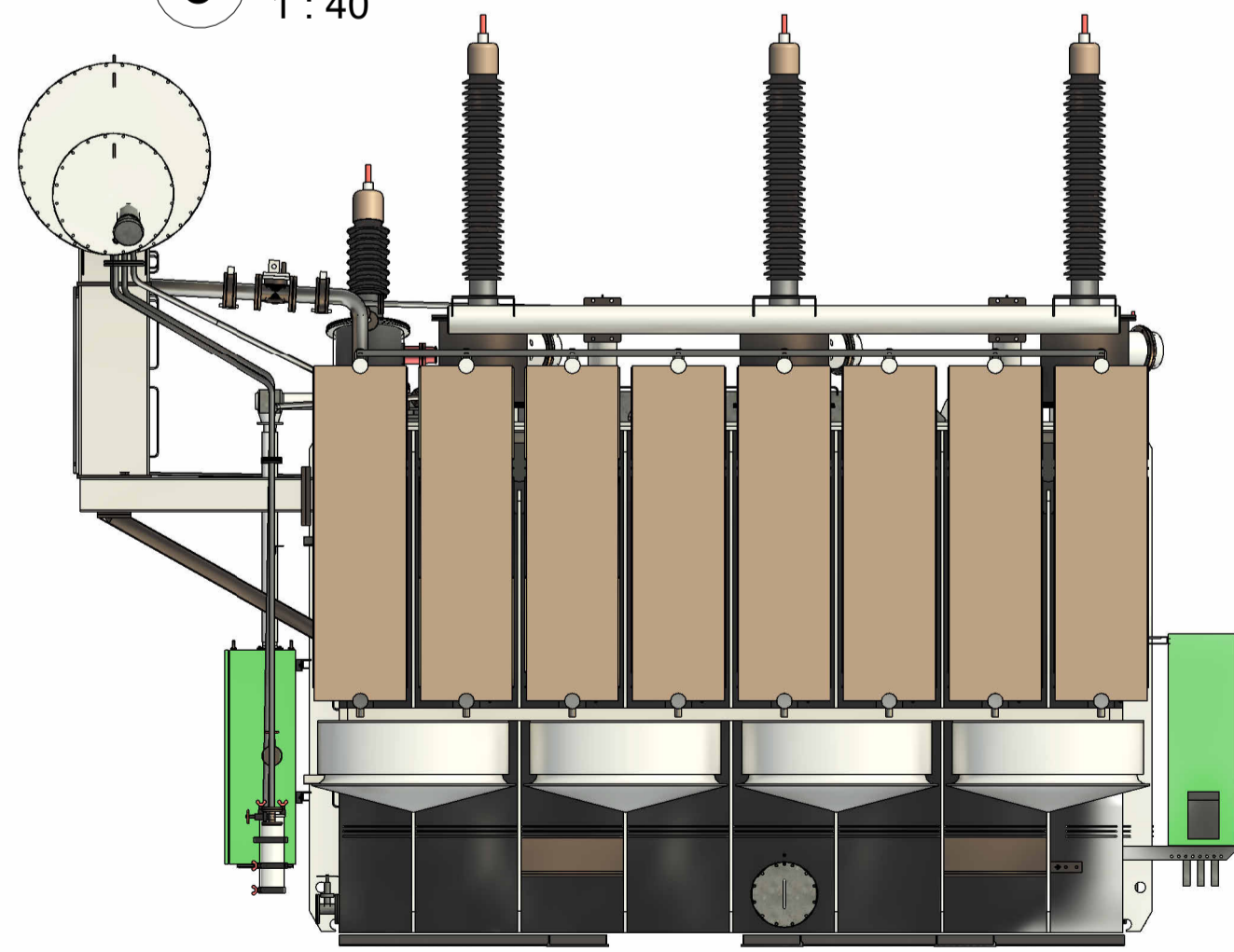
2 3D View



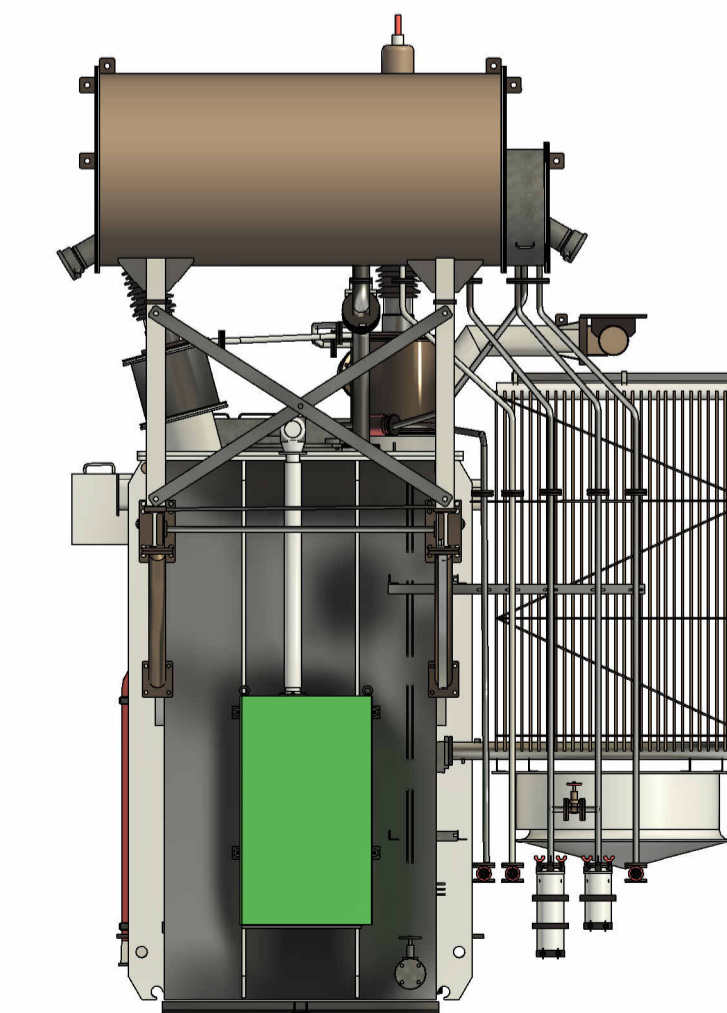
3 Front View
1 : 40



4 Right View
1 : 40



5 Rear View
1 : 40



6 Left View
1 : 40

O	Original	AJ	03.08.23
REV:	DESCRIPTION:	ISS BY:	DATE:

Revision Schedule

Status: **FOR PLANNING**



Suite 5, Exchange Station, Tithebarn St, Liverpool, L2 2QP

THIS DRAWING IS CONFIDENTIAL & THE COPYRIGHT OF SUCCESS CONNECTIONS. IT MUST NOT BE COPIED OR PASSED TO A THIRD PARTY WITHOUT WRITTEN CONSENT.

Project Number: **SC PJ 55 02**

Client Name: **Low Carbon Alliance**

Project Title: **Parc Solar Caenewydd**

Drawing Name: **Grid Transformer Plan & Elevation**

DRAWN	AJ	CHK'D	AJ	APP'D	AJ	SCALE (@ A1)	1 : 40	SHEET No.	1 of 1
Drawing Number:								REVISION	0

SC PJ 55 02-150-13